

Photocatalyst Air purifier [Spot Aiming Type]

SPOT AIR

Clean Air to
Desired locations
Aimable from your ceiling.

Purify with Photocatalyst.



W (White)

The Purified* Air Curtain

As an Air Curtain in places where face-to-face services are required.

Face To Face
Service



Purified Air Reach Distance Max. 2.5m

The air reach is up to 2.5m and covers a range of 1m³.

Suitable Locations



Restaurant Counter Tops



Fitting Rooms



Beauty Salons

Pinpoint Air deliver

Easy adjustment for wind direction.
Pinpoint Air blow possible with supplied attachment.



Conference Rooms



Cafe Corners



Hotel Rooms

※ Not all viruses, bacteria and odors have been verified.
● This product is not a lighting appliance.

Install in ceiling wiring ducts Take up less space and create an organized space

Using our unique photocatalyst technology, it reduces odor floating in the air.*1

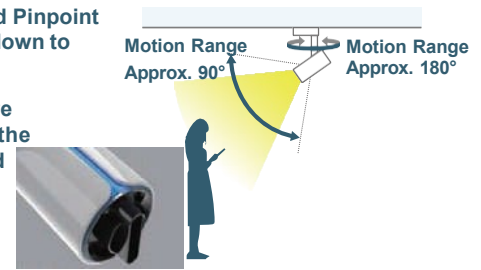
Space free installation to the ceiling wiring duct, keep open spaces available.



Pinpoint Air blow possible with supplied attachment.

Replace with the included Pinpoint Attachment and narrow down to send clean air.

Detailed adjustments are possible depending on the installation location and application.



Kaltech's Photocatalyst Technology

Air purification method

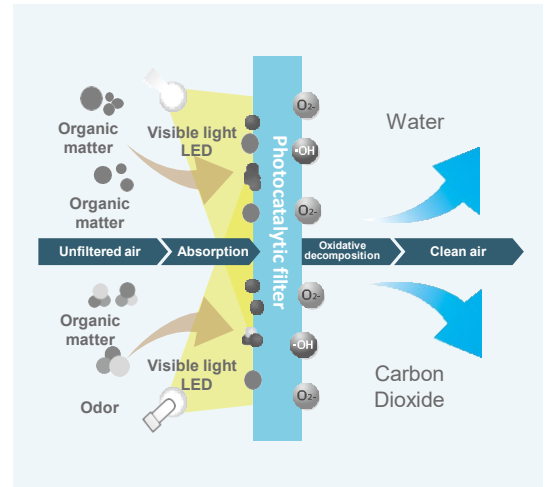
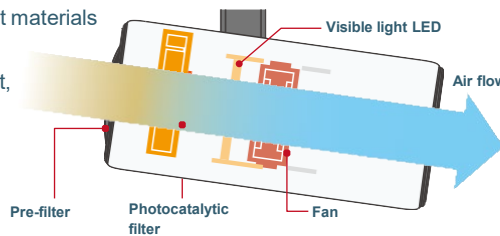
Odor

Organic Substances

When the photocatalytic active material is irradiated with light, it has a strong oxidizing effects. This strong oxidizing capability of the photocatalyst can be used to reduce odor-causing substances.

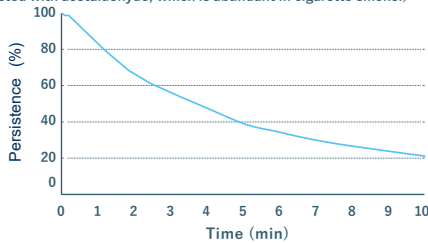
Our ability to develop photocatalyst materials and applied products with reaction rates improved to the limit, can deliver air purification with unprecedented performance.

*1 Not all odors have been verified.



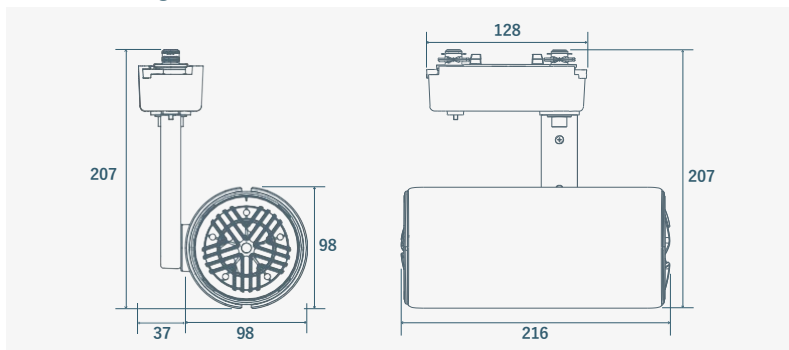
● Odor removal performance*2

(Tested with acetaldehyde, which is abundant in cigarette smoke.)



*2 Data is based on test space, not actual use space.
Evaluation space: 200 L BOX

● Dimension Image



● Maintenance

Just soak in water

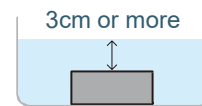
Easy maintenance & No filter replacement

Photocatalyst filter cleaning method

Soak in hot water at 80°C to 100°C approximately 30 minutes.

Allow to dry naturally under sunlight. Be sure to dry thoroughly until all moisture is gone.

*The lamp will indicate timing of filter cleaning after approx. 3 months use.



● Specifications

KL-S01-K (Black)/-W (White)

Disinfection and deodorization method	Photocatalyst filter
Power	AC100V Duct rail installment
Power consumption	Max 5.5W
Operating temperature range	0°C~40°C
Size (mm)	Main Body : Diameter : 98× Length : 210
Weight	Approx. 840g
Drip-proof and waterproof standards	Not supported
Accessory	Photocatalyst filter : 1 piece (standard equipment) Pinpoint Attachment : 1 piece Fall Prevention Wire : 1 piece User Manual : 1 copy

*1 Not all odors have been verified.

*This product is not a lighting appliance.



<Manufacturer> Kaltech Corporation

〒541-0059 Chuo-ku Bakuromachi 3-3-7 Building
Hirotake, Osaka City, Osaka

www.kaltec.co.jp

<Distributor>